

PORTABLE PTC CERAMIC HEATER

Instruction and Operating Manual



THANK YOU

We thank you for purchasing our product. We understand that this purchase represents your trust in us. We are grateful for this and assure you that we aspire to deliver the best value to you in return. We are proud of our creation and take every precaution to avoid problems. Despite this, sometimes a product might reach you with a defect. If this happens, our responsive customer services team will be able to assist you towards a quick resolution. So, do not hesitate to contact us regarding any aspect of your purchase.

You can contact us by:

- Sending an email to support@ansio.co.uk
- Calling us on **0800 080 6781 (UK Toll Free)** or **+44 207 157 9795**

This product is only suitable for well insulated spaces or occasional use.

TECHNICAL SPECIFICATIONS

MAX POWER: 2000W

VOLTAGE: 220-240V / 50 Hz

Customer Support - UK Toll Free **0800 080 6781** or **+44 207 157 9795**

GUARANTEE

This product comes with standard 1 Year Warranty against all manufacturing defects. In addition, register your purchase at www.ansio.co.uk within 15 days, and you can get an additional one year FREE Extended Warranty. Terms and conditions apply. Visit our website for more info.

This guarantee is invalid if the product is found to have been abused or tampered with in any way, or not used for the purpose for which it was intended.

Faulty goods should be returned to their place of purchase, no product can be returned to us without prior permission.

This guarantee does not affect your statutory rights.

This appliance is intended for household use only and NOT for commercial or industrial use.

NOTE

- There may be traces of smoke or odour arising from the heating coil when the heater is first operated. This is expected it will quickly fade away and will not re-occur. If the smoke or bad odour persists, do not use the heater and contact us for assistance.
- The room temperature when regulated by the heater may be more or less by 5 degrees celcius in comparison with the temperature reading measured by a store-bought room temperature sensor. The difference can arise from various factors including the location of the heater and the room temperature sensor and the quality of the store-bought room temperature sensor.

IMPORTANT SAFEGUARDS

MAKE SURE to read and follow all the warnings, cautions and instructions on how to use this product.

- **WARNING** — In order to avoid overheating, do not cover the heater. The heater should not be left operating unattended.
- If the supply cord is damaged, it must be replaced by the manufacturer or its service agent or a similarly qualified person in order to avoid a hazard.
- This heater can be used by children aged 12 years and above and persons with reduced physical, sensory or mental capabilities or lack of experience and knowledge if they have been given

adequate supervision or instruction concerning use of the appliance in a safe way and understand the hazards involved. Children shall not play with the appliance. Cleaning and user maintenance shall not be done by children without supervision.

- The heater must not be located immediately below a socket-outlet.
- Do not use this heater in the immediate surroundings of a bath, a shower, a swimming pool or any wet environment.
- Children aged less than 3 years should be kept away unless continuously supervised. Children aged from 8 years to 12 years shall only switch the heater ON/OFF provided the heater has been placed in its intended operating position and that they have been given adequate supervision and instructions concerning the use of the heater in a safe way. Children aged less than 8 years shall not plug in, regulate and clean the heater or perform user maintenance.
- **The heater must NOT be used with an extension cord.** Do not plug the heater into any other cord connected device such as a power strip, a multiple outlet adapter etc. as they can cause a fire hazard.
- DO NOT use this heater in areas where flammable liquids or vapours are used, stored or are present, including paints, gasoline, varnishes, floor refinishing products or solvents.
- ALWAYS turn OFF and unplug the power cord when servicing, cleaning or moving the heater.
- Make sure that the heater is connected to an appropriate power source. Do not use this heater with any other solid- state speed control devices.
- To reduce the risk of fire, electric shock and personal injury, DO NOT attempt to remove, replace, repair or tamper with the originally supplied plug.
- MAKE sure that the plug fits tightly into the outlet to prevent partial slipping out of the outlet or making a poor connection. This may cause outlets to overheat and create a potential fire hazard. Outlets



in this condition should be replaced by a qualified electrician. The outlet should not be covered by a curtain or a drape etc. to prevent fire hazards.

- Do not insert fingers or foreign objects to enter any ventilation as it may cause an electric shock, fire and can damage the heater.
- Do not block or tamper the heater in any manner while it is in operation. Do not place the heater on soft surfaces like a bed as the openings may become blocked.
- In case of overheating or any other malfunctioning of the heater, please contact us for further assistance.

CAUTION:

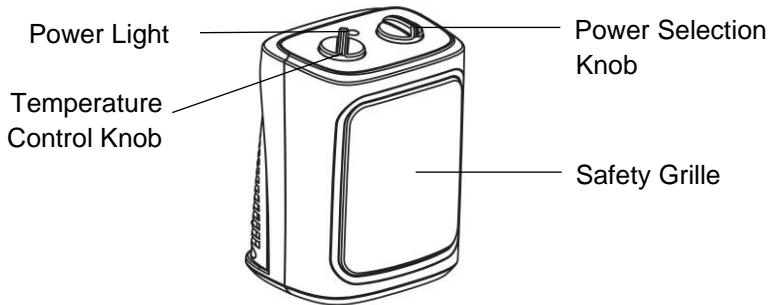
1. Some parts of this product can become very hot and cause burns. Particular attention has to be given where children and vulnerable people are present.
2. Do not use the heater outdoors.
3. Always place the heater in a flat, even surface.
4. DO NOT run the power cord under carpeting. Do not cover cord with throw rugs, runners, or similar coverings. Do not route cord under furniture or appliances. Arrange the power cord away from traffic area and where it will not be tripped over.
5. Keep combustible materials, such as bedding, pillows, furniture, papers, clothes and curtains at least 3 feet (0.9 m) away from the heater.

WARNING: IN ORDER TO AVOID OVERHEATING, DO NOT COVER THE HEATER.

NOTE:

Before using always check and ensure that the power cord is undamaged.

COMPONENTS OF THE HEATER



BEFORE USING THE HEATER

1. Check if the power cord is in good condition.
2. Ensure that the heater is connected to an appropriate power socket in accordance with the local regulations.
3. Always place the heater on a flat surface. The tip over switch at the base of the heater will turn the heater OFF if the heater is placed on an uneven/soft surface such as carpet or if the heater is accidentally knocked off.

OPERATING THE HEATER

1. Insert the plug into the power socket.
2. Turn the Power selection knob clockwise to choose between one of the following modes:

Fan only mode:

The fan in the heater is intended to assist with the circulation of hot air and is not for the purpose of cooling the room.



Low Power Mode:

The heater operates at 1200 W.



High Power Mode:

The heater operates at 2000 W.



3. Turn the Temperature control knob clockwise to set the desired temperature.

Note: The temperature control knob acts as a thermostat. In the event of overheating, the heater will be turned OFF automatically.

Customer Support - UK Toll Free **0800 080 6781** or **+44 207 157 9795**

TURNING THE HEATER OFF

1. Turn the Power selection knob anti clockwise to OFF position.
2. Turn the Temperature Control knob anticlockwise to the MIN position.
3. Remove the power plug and store the heater after it has cooled down completely.

SAFETY PROTECTION FEATURES

1. **Overheat protection feature:** When the temperature of the heater is too high, the thermostat will automatically turn the heater OFF. When the heater cools down completely, it can be used normally. Improper usage of the heater, dusty environment etc. can cause this. The heater needs to be cooled down completely and can be re-used as normal.
2. **Accidental Tip-Over protection feature:** When the heater is accidentally tipped over, the safety tip-over switch at the base of the heater will automatically cut the power off. When the heater is placed in an upright position on an even surface, it can then be used normally.

POWER LIGHT

The heater has a power light which illuminates whenever the heater is plugged in and turned ON. The light will continue to glow even if the safety feature turns OFF the heater in the event of overheating. This helps you to be aware that the heater is still in operation and is controlling the room temperature.

CLEANING AND MAINTENANCE

Before attempting to clean this heater, always ensure that the power plug is removed, and the heater is cooled down completely.

1. Accumulated dust must be removed from the heater with a soft cloth. Wipe the exterior surface of the heater with a cloth moistened (not dripping wet) with a solution of mild detergent and water. Dry the heater thoroughly with a soft dry cloth before operating it.
2. Store heater in a clean and dry place when not in use.

NOTE: Portable electric heaters are designed to be a supplementary heating source. They are not intended to be the main source of heating.

TROUBLESHOOTING

Problem	Possible Cause	Solution
When the power is turned ON, the power indicator light does not illuminate, and the heater does not work.	The plug may not be inserted well.	Check whether the plug is properly inserted into the receptacle. Alternatively, ensure that the power receptacle is fully functional or try another plug point.
	The temperature control knob is not turned ON clockwise to set the desired temperature.	Check whether the temperature control knob is turned clockwise to set the desired temperature.
The heater suddenly stops during working.	The temperature exceeds the threshold of the thermal cut-off, hence the heater is turned OFF automatically.	Cool the heater down completely before reuse.
The heater shuts off repeatedly or gets over heated or any other malfunctioning of the heater.	Dust accumulation inside the heater.	Clean the heater. Refer to “Cleaning and Maintenance” section.

WASTE DISPOSAL

You can help protect the environment! Please remember to respect local recycling laws. Dispose of faulty or unwanted electrical appliances in accordance with local policies and service centres.



- This item must not be disposed of with household waste.
- Please recycle where facilities exist. In the interests of health, safety and the environment, please check with your Local Authority for recycling advice
- By ensuring that you dispose of your old electrical and electronic equipment according to The European Directive 2012/19/EU on Waste Electrical and Electronic Equipment (WEEE), you are helping to preserve our natural resources.



For your nearest disposal facility, visit www.recycle-more.co.uk

Environmental Agency Registration Number for ANSIO: WEE/MM6674AA

Information requirement for the electric local space heaters

Model identifier(s): ANSIO 1308					
Item	Symbol	Value	Unit	Item	Unit
Heat output			Type of heat input, for electric storage local space heaters only (select one)		
Nominal heat output	P _{nom}	2.000	kW	manual heat charge control, with integrated thermostat	No
Minimum heat output (indicative)	P _{min}	1.200	kW	manual heat charge control with room and/or outdoor temperature feedback	No
Maximum continuous heat output	P _{max,c}	2.000	kW	electronic heat charge control with room and/or outdoor temperature feedback	No
Auxiliary electricity consumption	---	---	---	fan assisted heat output	No
At nominal heat			Type of heat output/room temperature control (select one)		
At minimum heat	e _{lmax}	N.A.	kW	single stage heat output and no room temperature	No
In standby mode	e _{lSB}	0.000	kW	Two or more manual stages, no room temperature	No
				with mechanic thermostat room temperature control	Yes
				with electronic room temperature control	No
				electronic room temperature control plus day timer	No
				electronic room temperature control plus week timer	No
			Other control options (multiple selections possible)		
				room temperature control, with presence detection	No
				room temperature control, with open window detection	No
				with distance control option	No
				with adaptive start control	No
				with working time limitation	No
				with black bulb sensor	No
Contact details	Ansio Ltd., PO Box 106, Banstead, SM7 9BU, UK.				

Test Data

Commission Regulation (EC) No 1275/2008 Requirement

Mode	Ecodesign requirements, from 7 January 2013	Result - Remark	Verdict
Off mode	Power consumption in 'off mode': Power consumption of equipment in any off-mode condition shall not exceed 0.50 W	0 W	P
Standby mode	Power consumption in 'standby mode(s)': The power consumption of equipment in any condition providing only a reactivation function, or providing only a reactivation function and a mere indication of enabled reactivation function, shall not exceed 0.50 W.	0 W	P
	The power consumption of equipment in any condition providing only information or status display, or providing only a combination of reactivation function and information or status display shall not exceed 1.00 W.		N/A

Seasonal space heating energy efficiency

Description	Value
Seasonal space heating energy efficiency in active mode- $\eta_{s, on}$	40%
For electric local space heaters- η_{th}	100%
The electric to primary energy 'conversion coefficient-CC	2.5
correction factor accounting for a positive contribution to the seasonal space heating energy efficiency of electric storage local space heaters due to adjusted contributions for options for heat storage and output; and a negative contribution to seasonal space heating efficiency for commercial local space heaters due to adjusted contributions for options for the heat output-F(1)	0%
correction factor accounting for a positive contribution to the seasonal space heating energy efficiency due to adjusted contributions of controls of indoor heating comfort, the values of which are mutually exclusive, cannot be added to each other-F(2)	6.00%
correction factor accounting for a positive contribution to the seasonal space heating energy efficiency due to adjusted contributions of controls for indoor heating comfort the values of which can be added to each other-F(3)	0%
correction factor accounting for a negative contribution to the seasonal space heating energy efficiency by auxiliary electricity consumption-F(4)	0%
correction factor accounting for a negative contribution to the seasonal space heating energy efficiency by energy consumption of a permanent pilot flame-F(5)	0%
Seasonal space heating energy efficiency- η_s	36.00%
Verdict	P

KEEP THIS INSTRUCTION MANUAL SAFELY, DO NOT THROW IT AWAY

Customer Support - UK Toll Free **0800 080 6781** or **+44 207 157 9795**

Ansio Ltd.,

PO Box 106, Banstead, SM7 9BU, UK.

✉ support@ansio.co.uk

🌐 www.ansio.co.uk